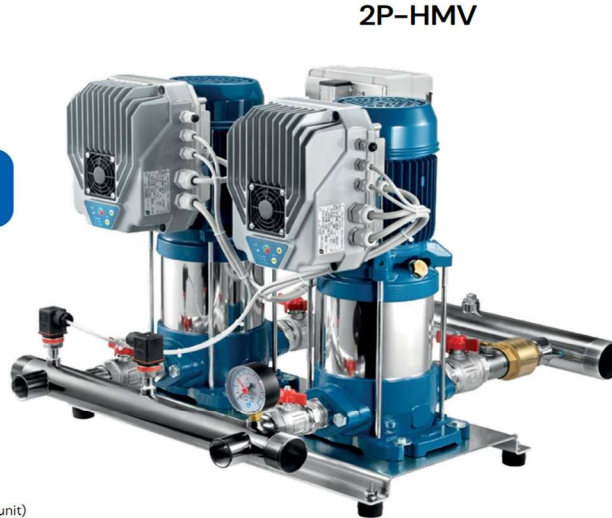


2P-HMV Series

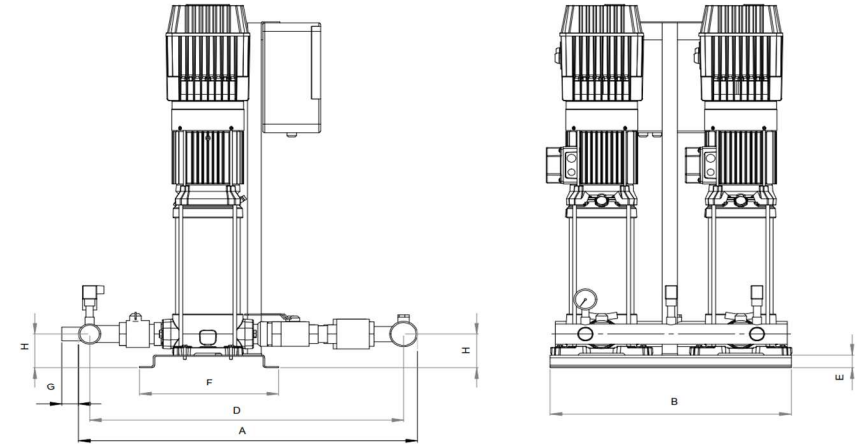
Water Supply & Pressure Pumps
Variable Speed Vertical
Multistage Booster Sets



Made in Italy by Pentax Pumps



2P-HMV



VSD Controller and Connection

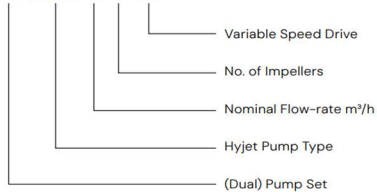
- Control box with main switches (one for each pumping unit) to switch off the system, in IP55 insulation grade.
 - 2 x VSD directly mounted on board of the pumps with pre-set parameters in accordance to the connected pump; available solution with E1 VSD (for pumps up to 2kW with single phase input voltage) or with E109 – E385 VSD (single phase input voltage up to 3 kW and with three phase input voltage up to 45 kW).
- (See VSD Controllers on pages 121-123)

Construction and Features

- 2 x HMV Series vertical multistage electric pumps.
- Stainless steel suction and delivery manifolds, threaded with outlets for pressures sensors and pressure tanks.
- Unit base and support for control panel in galvanised steel.
- One check valve for each electric pump, installed on delivery side.
- Ball valves with pipe union installed on suction side and delivery side of each electric pump.
- One pipe stub for each electric pump, installed on suction side.
- Pressure gauge with radial connection.
- 2 x E Series VSD with set parameters in accordance to the connected pump.
- Pressure sensor connected on the output manifold and electrically connected to VSD.
- On request: Pressure tanks 8 litre – 100 litre.

Identification Codes

2P HMV 5-7-E1



Dimensions

Model	Dimensions (mm)							DNA	DNM
	A	B	D	E	F	G	H		
2P-HMV3-7-E1	660	520	610	30	300	30	50	50mm	40mm
2P-HMV3-9-E1	660	520	610	30	300	30	50	50mm	40mm
2P-HMV5-7-E1	660	520	610	30	300	30	50	50mm	40mm
2P-HMV5-10-E114	660	520	610	30	300	30	50	50mm	40mm
2P-HMV9-6-E114	785	566	715	30	300	30	80	65mm	50mm
2P-HMV9-7-E309	785	566	715	30	300	30	80	65mm	50mm
2P-HMV9-10-E311	785	566	715	30	300	30	80	65mm	50mm
2P-HMV18-4-E114	840	566	760	30	300	30	90	80mm	65mm
2P-HMV18-6-E311	840	566	760	30	300	30	90	80mm	65mm
2P-HMV18-9-E318	840	566	760	30	300	30	90	80mm	65mm

Commercial Plumbing & Fire Supplies

Site Address

6A Kelly Court,
Springvale, VIC 3171

Postal Address

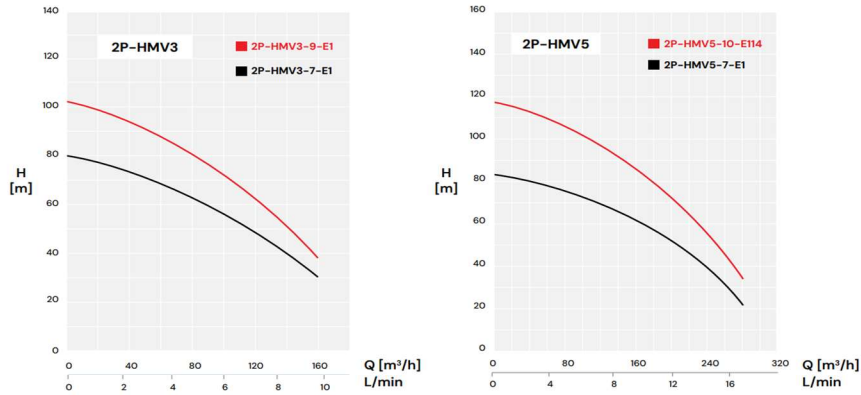
6A Kelly Court,
Springvale, VIC 3171

Contact Details

P: 03 9791 7500
E: sale@cpfs.net.au



Performance



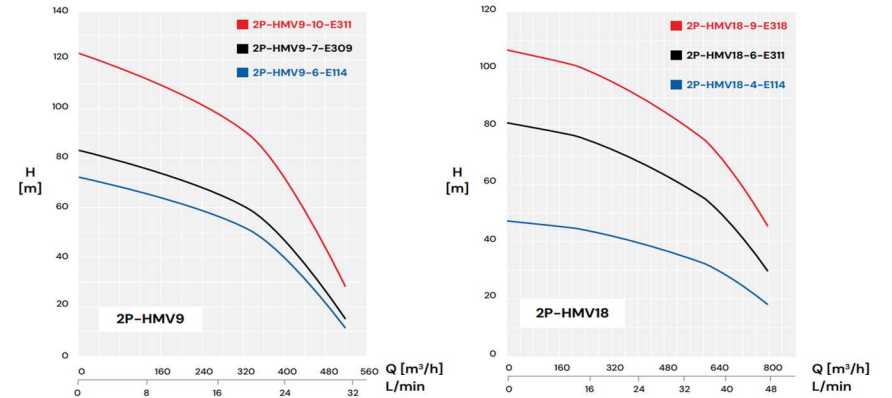
2P-HMV3 Technical Data

Type	P2		Amps	Q (L/min)								
				0	1.2	2.4	3.6	4.8	7.2	9.6		
				0	20	40	60	80	120	160		
		(HP)	(kW)	230V/50Hz	H (m)							
2P-HMV3-7-E1	1.5	1.1	7.1	75.5	71.3	66.6	61.2	54.8	41.1	24.9		
2P-HMV3-9-E1	2.0	1.5	7.5	95.8	92.2	86.3	78.9	70.7	52.1	30.8		

1P-HMV5 Technical Data

Type	P2		Amps	Q (L/min)								
				0	3.6	4.8	7.2	9.6	12.0	14.4	16.8	
				0	60	80	120	160	200	240	280	
		(HP)	(kW)	230V/50Hz	H (m)							
2P-HMV5-7-E1	2	1.5	8.7	80.3	73.6	71.0	64.5	56.1	46.0	33.4	12.5	
2P-HMV5-10-E114	3	2.2	11.9	112.7	103.9	99.9	89.8	78.2	64.0	46.4	21.0	

Performance



2P-HMV9 Technical Data

Type	P2		Amps	Q (L/min)																
				0	7.2	9.6	12.0	14.4	16.8	19.2	22.0	24.0	26.4	28.8	31.2					
				0	120	160	200	240	280	320	360	400	440	480	520					
		(HP)	(kW)	230V	415V	H (m)														
2P-HMV9-6-E114	3	2.2	12.5		69.4	63.7	61.4	58.8	55.6	51.6	46.5	40.3	33.5	25.4	17.0	9.0				
2P-HMV9-7-E309	4	3		5.8	94.5	88.4	86.0	83.0	79.4	74.7	68.0	59.8	49.8	38.9	27.0	11.6				
2P-HMV9-10-E311	5.5	4		8.3	117.6	111.0	108.4	105.3	101.1	95.1	87.2	76.7	64.8	51.2	36.4	20.1				

2P-HMV18 Technical Data

Type	P2		Amps	Q (L/min)																			
				0	200	240	280	320	360	400	440	480	520	560	600	640	680	720	760	800			
				H (m)																			
		(HP)	(kW)																				
2P-HMV18-4-E114	4	3	5.7	46.8	44.2	43.7	43.1	42.4	41.3	40.1	38.6	36.4	35.0	32.6	31.0	27.4	24.5	21.5	18.4	15.2			
2P-HMV18-6-E311	5.5	4	8.7	71.6	68.2	67.4	66.5	65.4	63.8	61.9	59.7	57.0	54.2	51.1	47.6	43.7	39.5	34.7	29.9	25.2			
2P-HMV18-9-E318	9	6.6	12.7	108.8	103.6	102.3	100.8	99.0	96.9	94.1	91.1	87.5	83.0	78.3	72.6	66.2	59.6	52.6	45.5	38.3			

Commercial Plumbing & Fire Supplies

Site Address

6A Kelly Court,
Springvale, VIC 3171

Postal Address

6A Kelly Court,
Springvale, VIC 3171

Contact Details

P: 03 9791 7500
E: sale@cpfs.net.au

